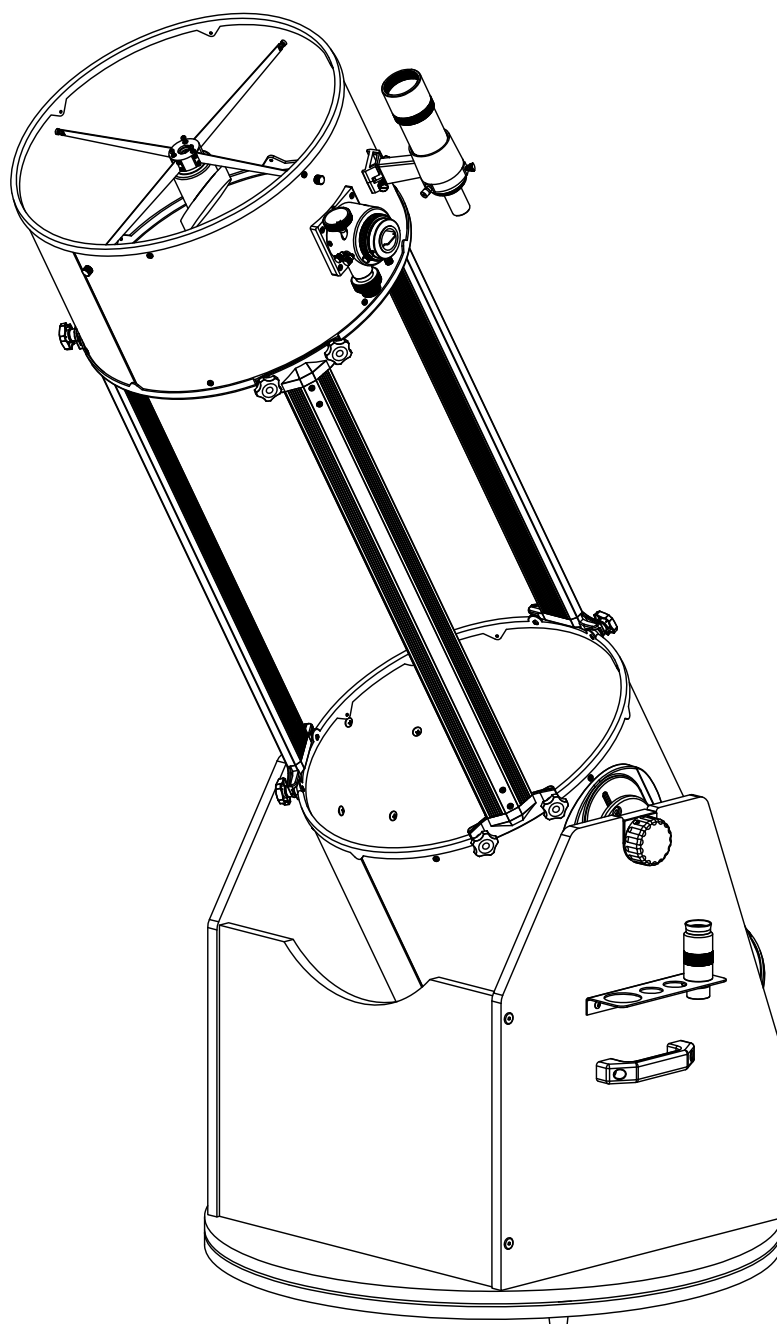


INSTRUCTION MANUAL

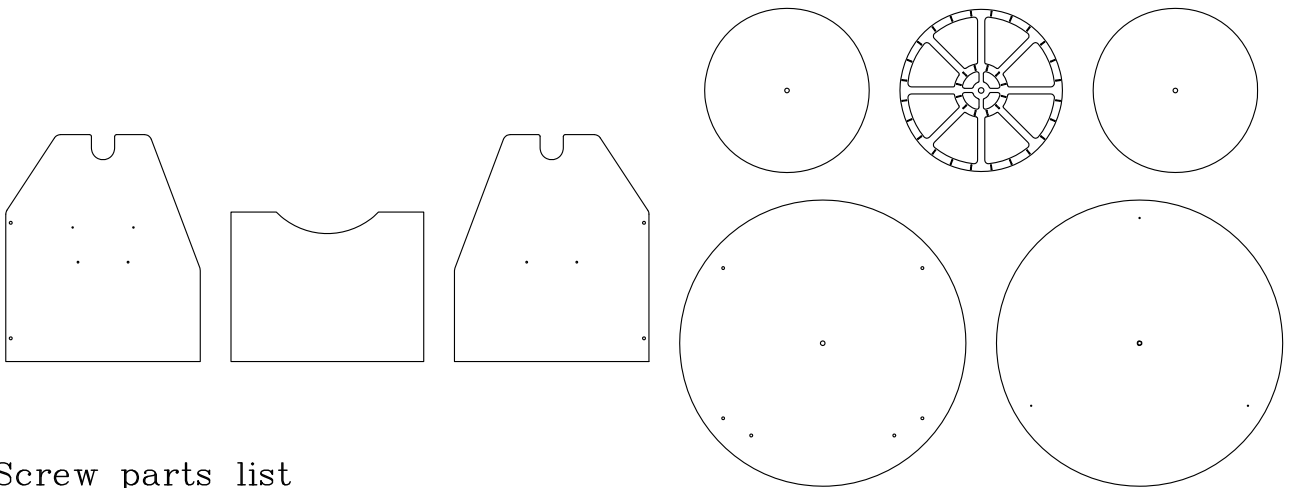
GSO-DOBSONIANS

406mm/1827mm



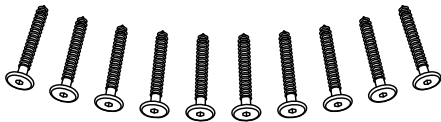
PART LIST

1. Wood Base



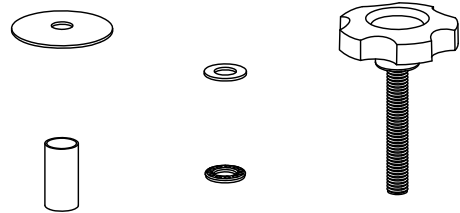
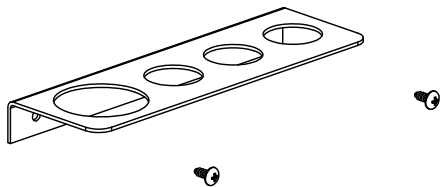
2. Screw parts list

Self-tapping wood screw x10



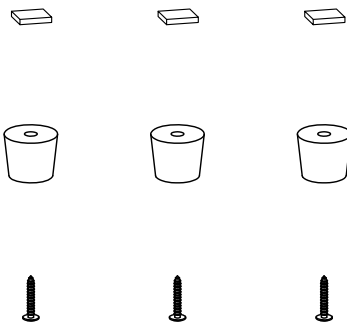
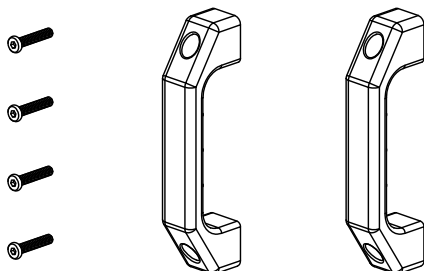
5/16-18 adjustment bolt x1, 8mm/16mm washer x1,
 Roller bearing 8.5mm x 15mm x1,
 Center bearing bushing x1, 8.2mm/38mm washer x1

Eyepieces holder x1, Self-tapping wood screw x2

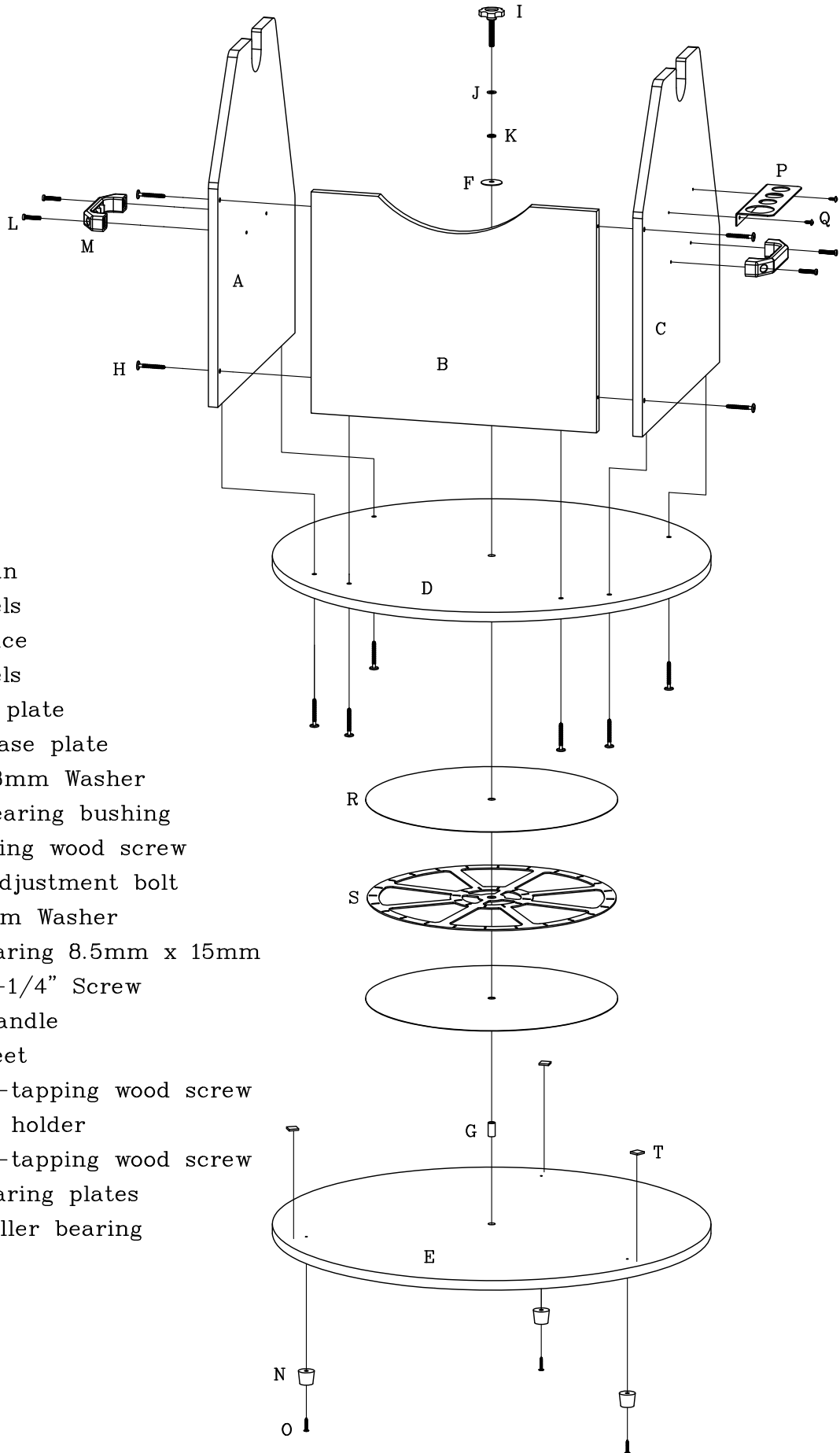


Plastic Feet x3, Self-tapping wood screw x3,
 AAAAAAx3

Plastic handle x2, 1/4-20 1-1/4" Screw x4



WOOD BASE ASSEMBLY



16" Dobsonian

A=Side Panels

B=Front Brace

C=Side Panels

D=Top Base plate

E=Ground Base plate

F=8.2mm/38mm Washer

G=Center bearing bushing

H=Self-tapping wood screw

I=5/16-18 adjustment bolt

J=8mm/16mm Washer

K=Roller bearing 8.5mm x 15mm

L=1/4-20 1-1/4" Screw

M=Plastic Handle

N=Plastic Feet

O=3/16 Self-tapping wood screw

P=Eyepieces holder

Q=3/16 Self-tapping wood screw

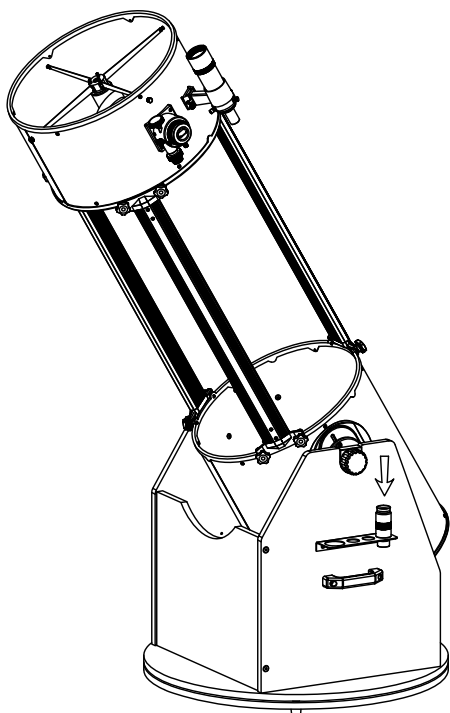
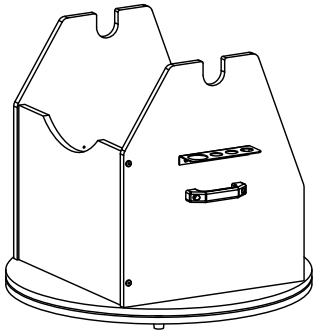
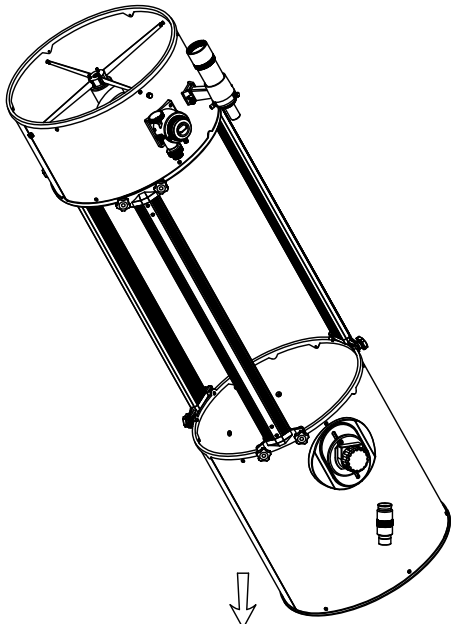
R=Roller bearing plates

S=Plastic roller bearing

T=xxx

OPTICAL TUBE ASSEMBLY

Place the optical tube on the wood base.



Side Bearing Spring System

A-A=Altitude side bearing

A-B=

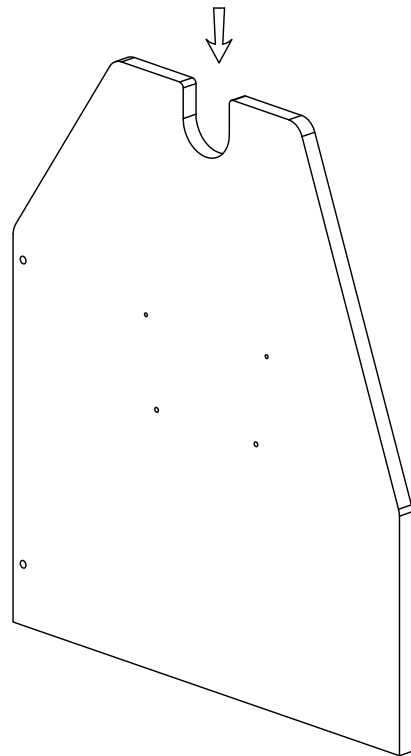
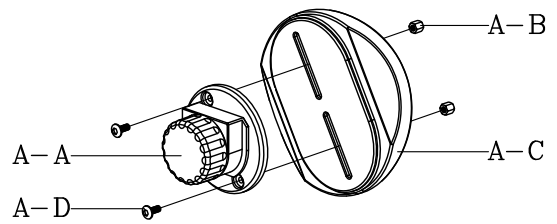
A-C=

A-D=Phillips head screw

A-E=

A-F=

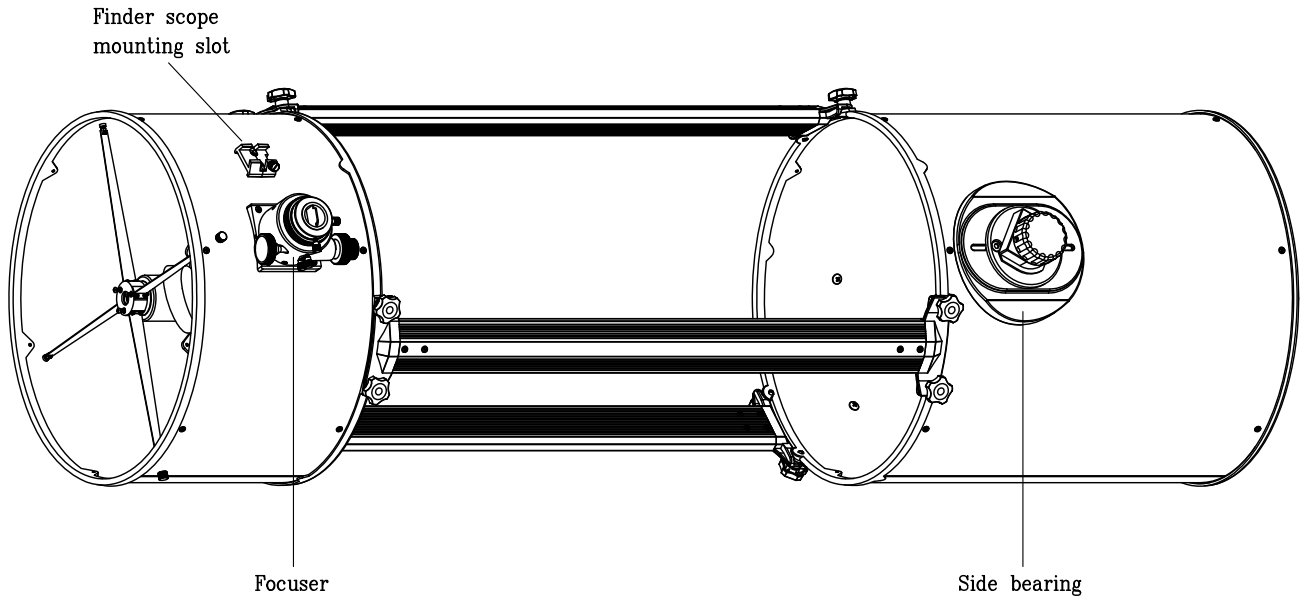
A-G=



Hang one end of the spring onto the black nylon spacer with-bolt on the side bearing, grab the end of the cord and pull the spring down until the hook on the other end of the spring reaches the other black nylon spacer on the base.

OPTICAL TUBE ASSEMBLY

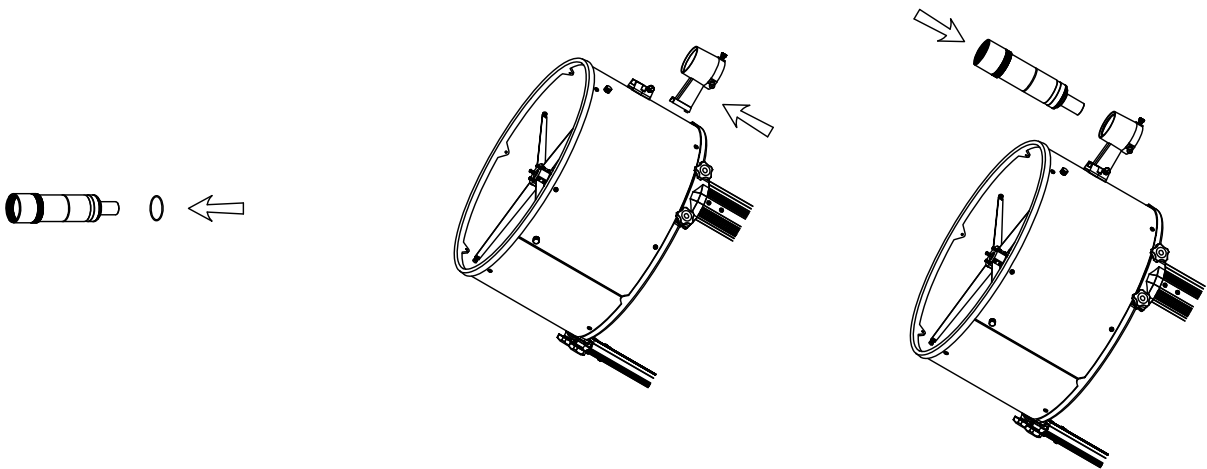
1. OTA (Optical Tube Assembly)



Locate the finder scope bracket and remove the rubber-o-ring on it. Position the o-ring into groove on the finder scope tube.

Slide the finder scope bracket into the mounting slot and tighten the screw to hold the bracket in place.

Loosen the two plastic adjusting screws on the bracket. Position the finder scope into the bracket by sliding it backwards until the rubber o-ring seats.



remove the dust cover and Loosen the thumbscrews on the end of the focuser adapter.

Insert the 1.25" or 2" eyepiece and lightly tighten the thumbscrews to hold the eyepiece in place.

